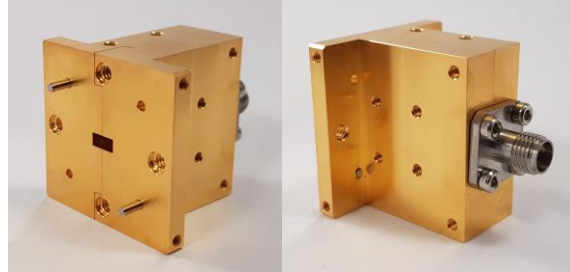


Description

FD-19-0001 is a full-band passive doubler operating in WR-19 frequency range. High conversion efficiency, extremely wide bandwidth and a balanced topology make the component an universal solution for LO mixer drivers as well as frequency sources.


Features

- High efficiency
- Full band frequency coverage
- Fixed tuned
- Unbiased planar diodes

Applications

- Frequency multiplication
- Mm-Wave instrumentation
- Signal source frequency extension
- Test and measurement

| Specification | Unit | Min | Typ | Max |
|------------------------|------|----------------|-----|-----|
| Output Frequency Range | GHz | 35 | | 60 |
| Frequency Band | | U | | |
| Waveguide Designation | | WR-19 | | |
| Multiplication Factor | | 2 | | |
| Input Power Range | dBm | 18 | | 23 |
| Output Power Range | dBm | | 10 | |
| Input Return Loss | dB | | 10 | |
| Efficiency | % | 9 typ. | | |
| Input Flange | | K(F) | | |
| Output Flange | | WR-19 UG-383/M | | |
| Bias Required | | None | | |

Output Power

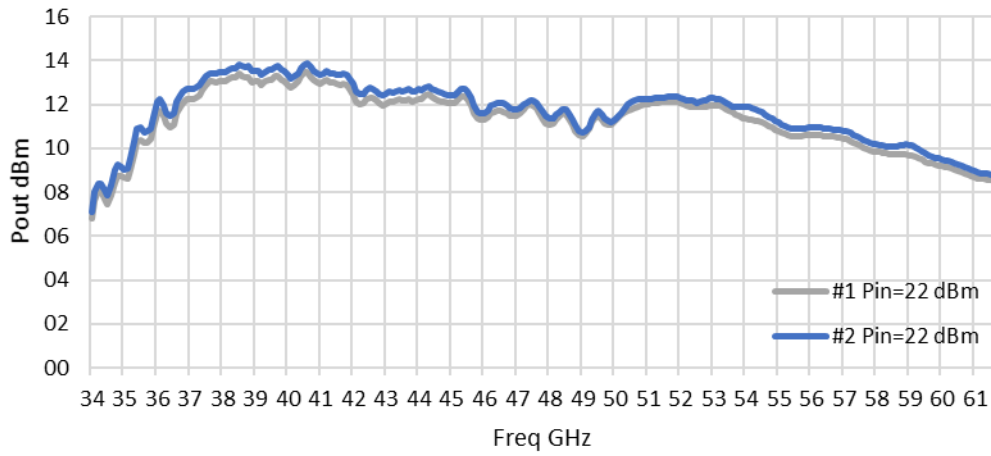


Fig.1. Output power of FD-19-0001 for +22 dBm of input power

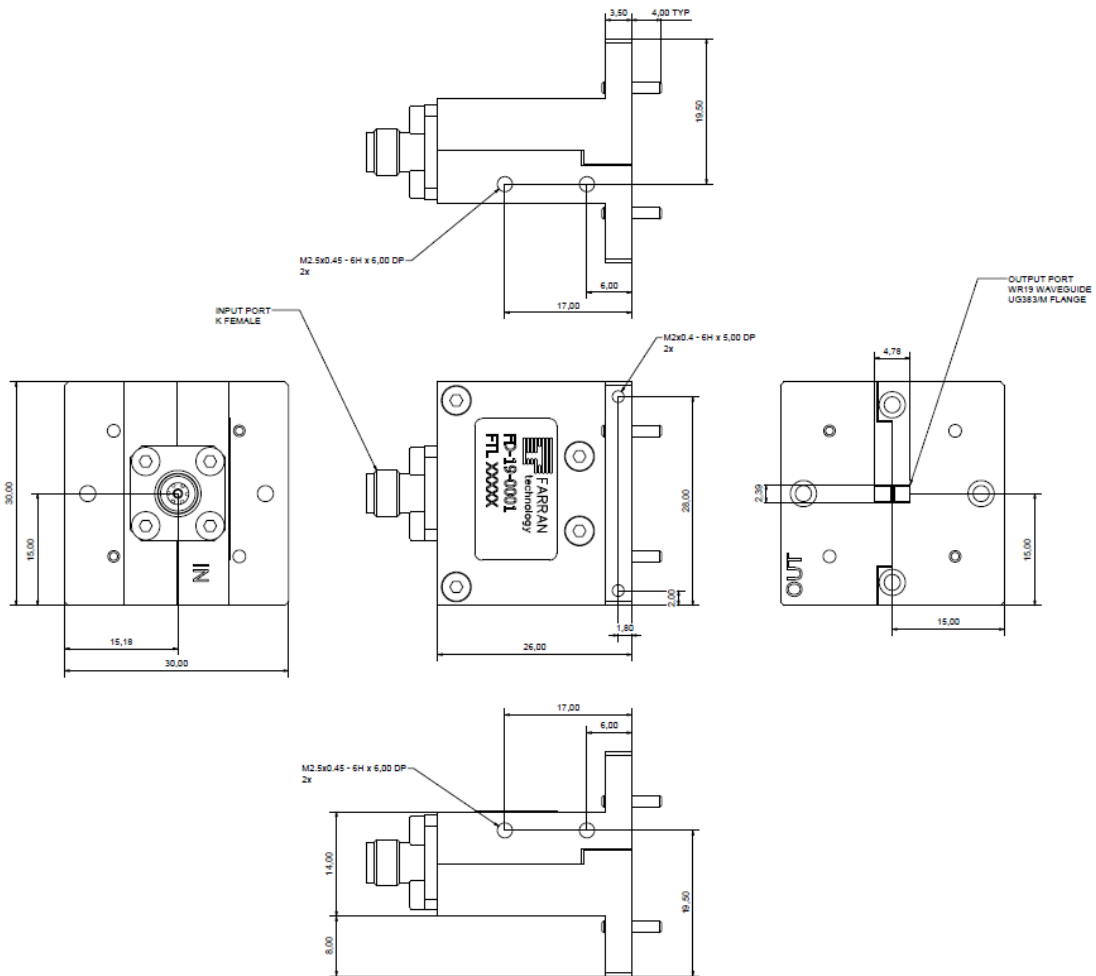


Fig. 2. Outline drawing of FD-19-0001

Notes:

Farran Technology reserves the right to change, without notice, the characteristic data and other specifications applied to this product. The product may be subject to Irish export restrictions.