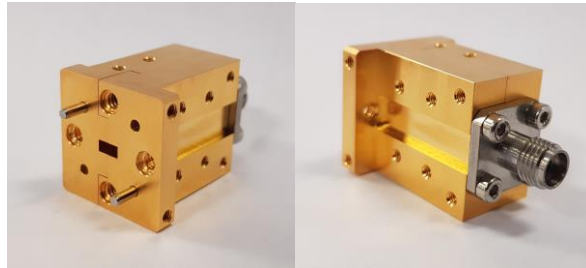


Description

FD-15-0001 is a full-band passive doubler operating in WR-15 frequency range. High conversion efficiency, extremely wide bandwidth and a balanced topology make the component an universal solution for LO mixer drivers as well as frequency sources.


Features

- High efficiency
- Full band frequency coverage
- Fixed tuned
- Unbiased planar diodes

Applications

- Frequency multiplication
- Mm-Wave instrumentation
- Signal source frequency extension
- Test and measurement

Specification	Unit	Min	Typ	Max
Output Frequency Range	GHz	45		75
Frequency Band		V		
Waveguide Designation		WR-15		
Multiplication Factor		2		
Input Power Range	dBm	18		23
Output Power Range	dBm		10	
Input Return Loss	dB		10	
Efficiency	%	9 typ.		
Input Flange		K(F)		
Output Flange		WR-15 UG-385/U		
Bias Required		None		

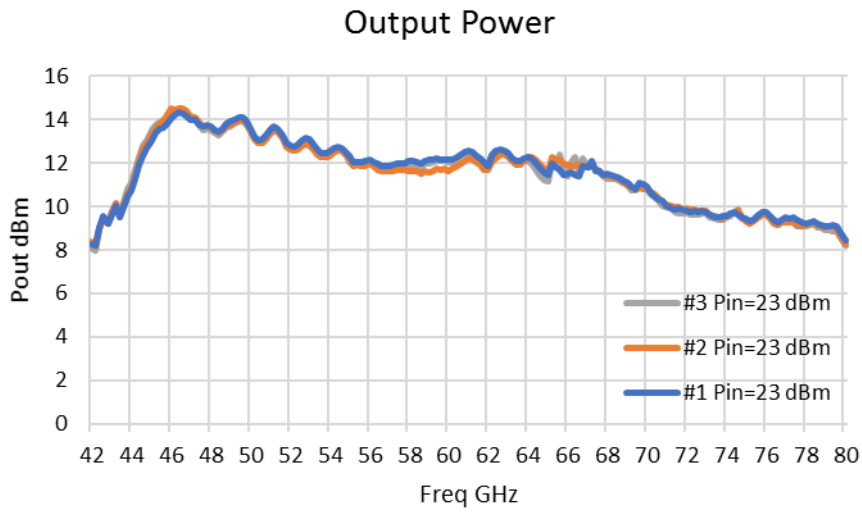


Fig.1. Output power of FD-15-0001 for +23 dBm of input power

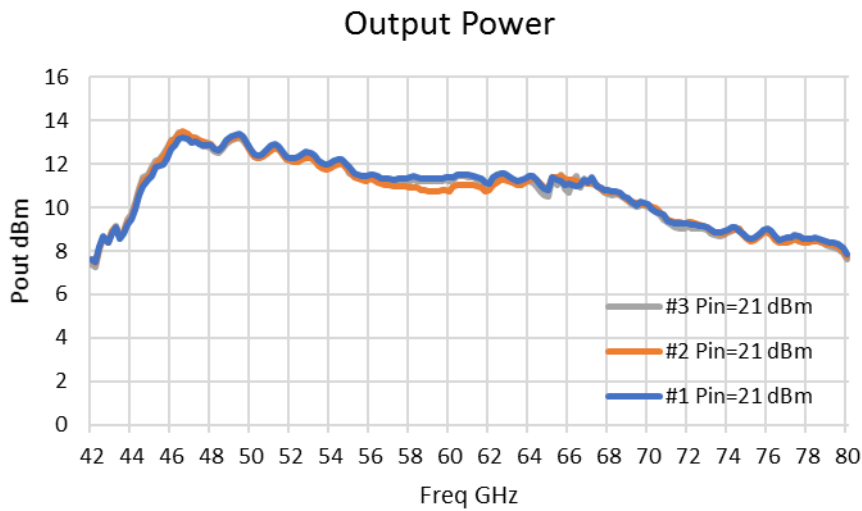


Fig.2. Output power of FD-15-0001 for +21 dBm of input power

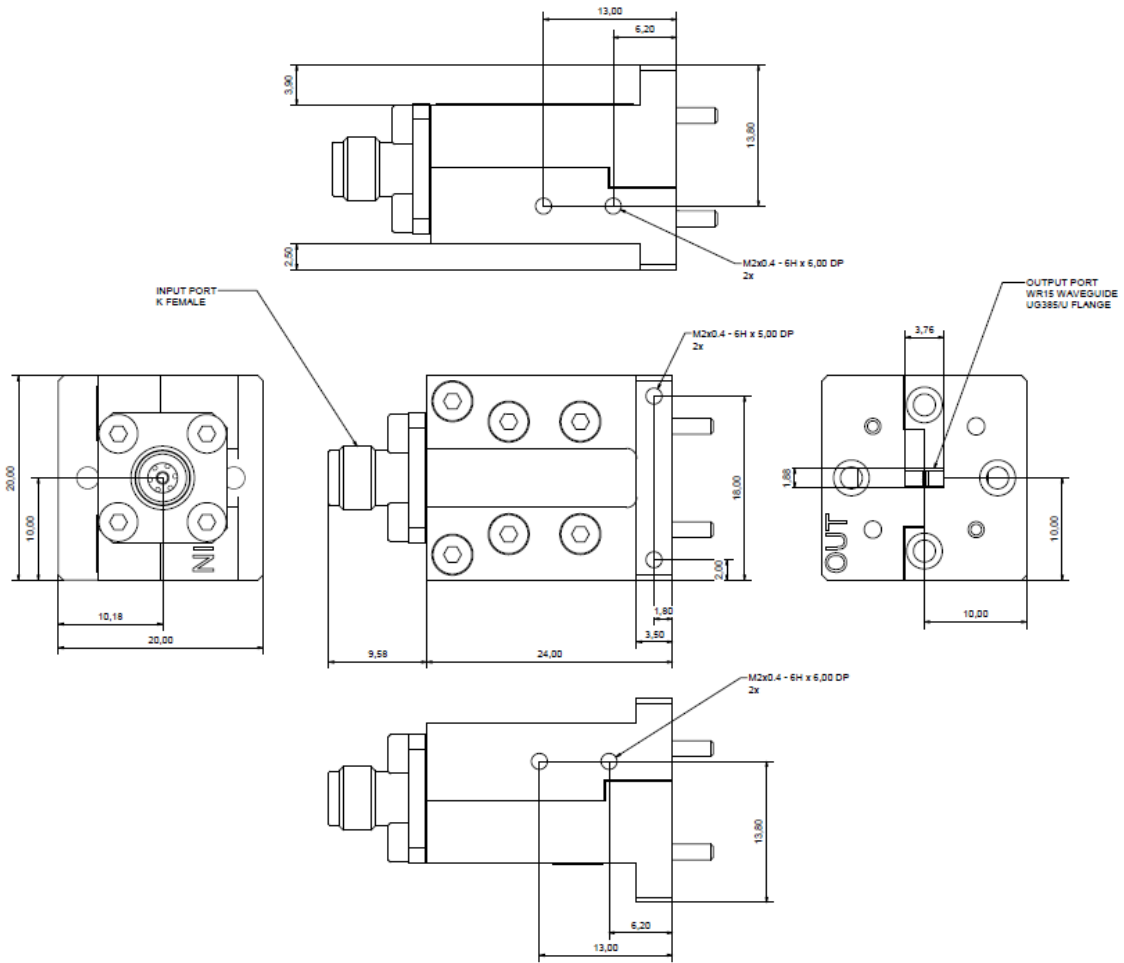


Fig. 3. Outline drawing of FD-15-0001

Notes:

Farran Technology reserves the right to change, without notice, the characteristic data and other specifications applied to this product. The product may be subject to Irish export restrictions.